

Technical data sheet



Product features

Semi-automatic steak grill durable chrome

Model	SAP Code	00021089
--------------	-----------------	----------



- Top type: Smooth
- Griddle dimensions [mm x mm]: 650 x 480 + 320 x 380 + 320 x 380
- Griddle thickness [mm]: 10.00
- Container for liquid fat: Yes
- Independent heating zones: Separate control for each heating zone on the bottom plate and for the top plates
- Maximum device temperature [°C]: 300
- Surface finish: durable chrome

SAP Code	00021089	Net Weight [kg]	90.00
Net Width [mm]	658	Power electric [kW]	12.000
Net Depth [mm]	760	Griddle dimensions [mm x mm]	650 x 480 + 320 x 380 + 320 x 380
Net Height [mm]	442	Top type	Smooth

Technical data sheet



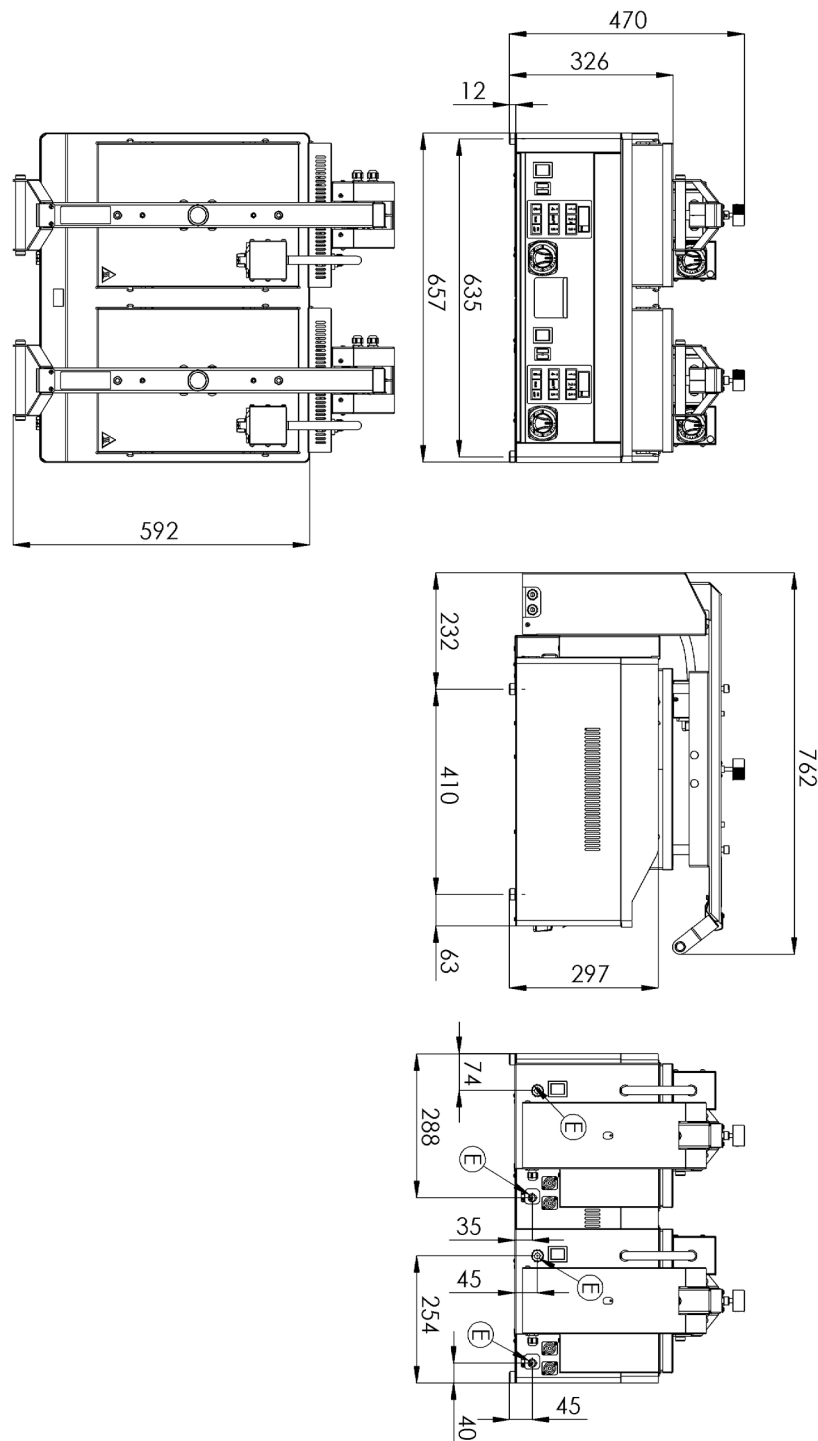
Technical drawing

Semi-automatic steak grill durable chrome

Model

SAP Code

00021089



Technical data sheet



Technical parameters

Semi-automatic steak grill durable chrome

Model

SAP Code

00021089

1. SAP Code:

00021089

2. Net Width [mm]:

658

3. Net Depth [mm]:

760

4. Net Height [mm]:

442

5. Net Weight [kg]:

90.00

6. Gross Width [mm]:

725

7. Gross depth [mm]:

800

8. Gross Height [mm]:

564

9. Gross Weight [kg]:

99.00

10. Construction type of device:

Table top

11. Power electric [kW]:

12.000

12. Protection of controls:

IPX4

13. Material:

AISI 430

14. Indicators:

operation and warm-up

15. Surface finish:

durable chrome

16. Maximum device temperature [°C]:

300

17. Minimum device temperature [°C]:

50

18. Griddle dimensions [mm x mm]:

650 x 480 + 320 x 380 + 320 x 380

19. Griddle thickness [mm]:

10.00

20. Container for liquid fat:

Yes

21. Independent heating zones:

Separate control for each heating zone on the bottom plate and for the top plates

22. Uniform heating:

Yes

23. Top type:

Smooth